

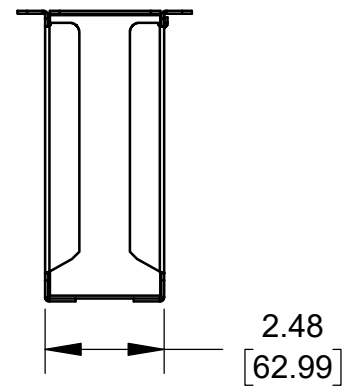
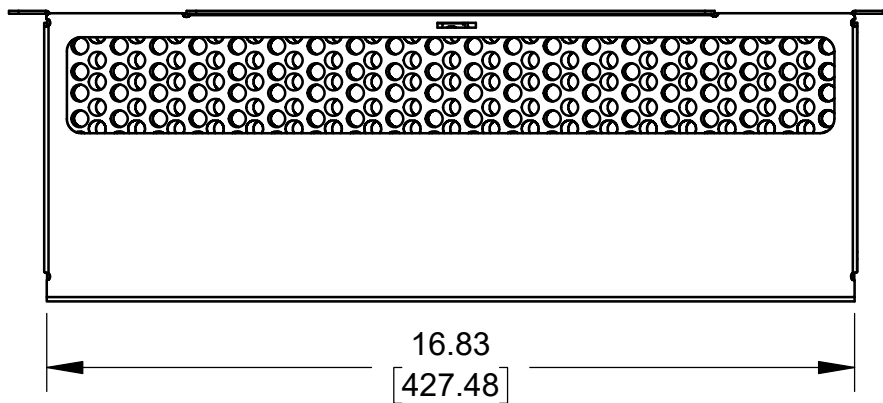
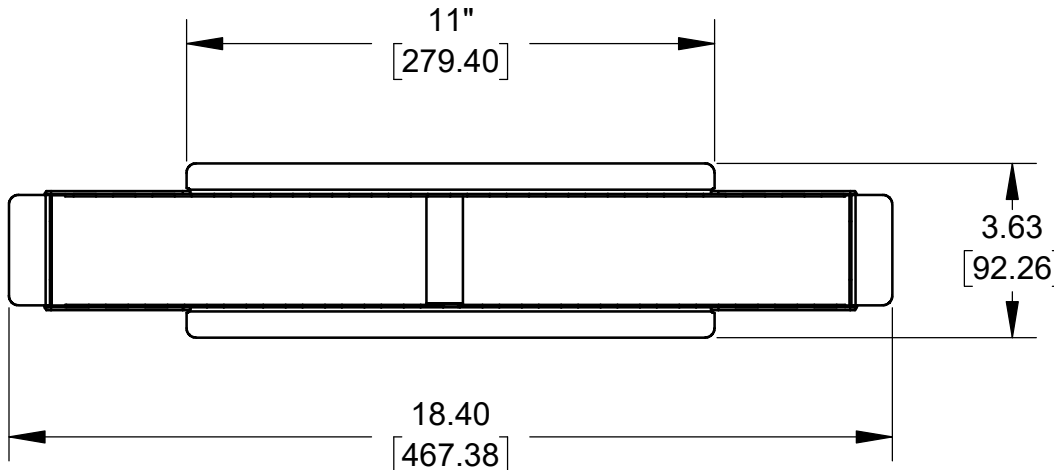
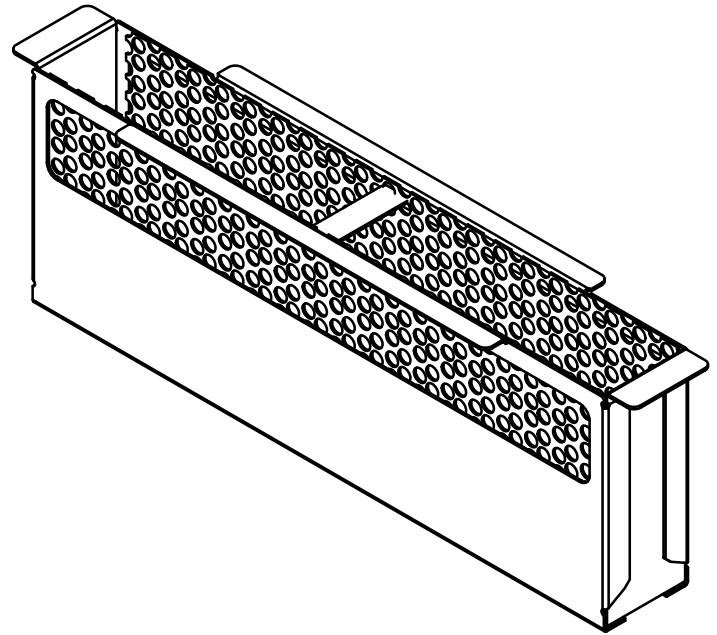
**SPECIFICATION:**

JOSAM 100-SB-BSS SEDIMENT BUCKET FOR USE WITH 100-SB.  
STAINLESS STEEL CONSTRUCTION. COMPATIBLE WITH DUCTILE  
IRON FRAME.

**PRO-PLUS  
SEDIMENT BUCKET**

SERIES /  
PART NO

**100-SB-BSS**



WARNING: Cancer and Reproductive Harm - www.P65Warnings.ca.gov

DATE OF LAST CHANGE: 04/13/22

DIMENSIONS ARE SUBJECT TO MANUFACTURERS  
TOLERANCES AND CHANGE WITHOUT NOTICE.  
WE CAN ASSUME NO RESPONSIBILITY FOR  
USE OF SUPERSEDED OR VOID DATA.

**JOSAM**  
MICHIGAN CITY, INDIANA

NOTES