

SPECIFICATION:

JOSAM 35130 SERIES CAST IRON FLOOR DRAIN, TWO-PIECE BODY, SEEPAGE SLOTS, BOTTOM OUTLET, MEDIUM-DUTY SECURED GRATE AND REMOVABLE SEDIMENT BUCKET, TOP FRAME SERVES AS CLAMP RING.

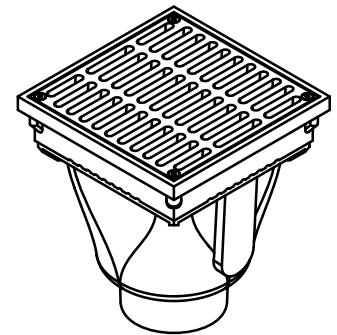
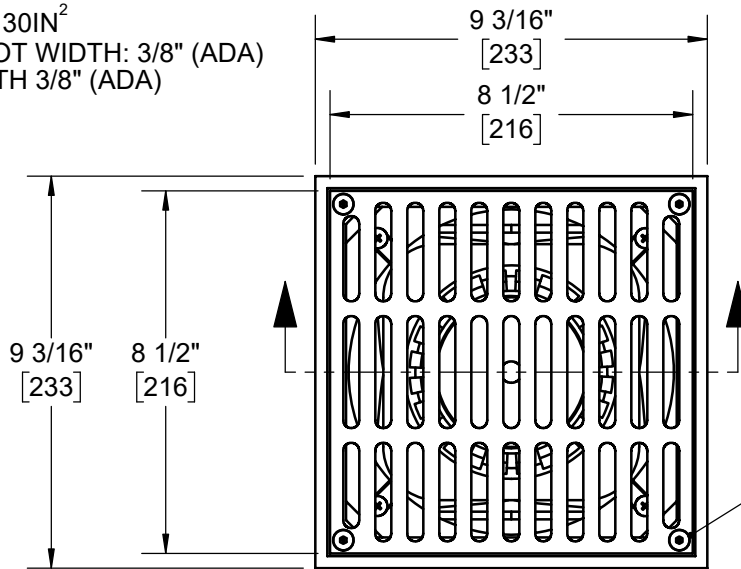
FLOOR DRAIN

9" SQUARE TOP WITH BUCKET

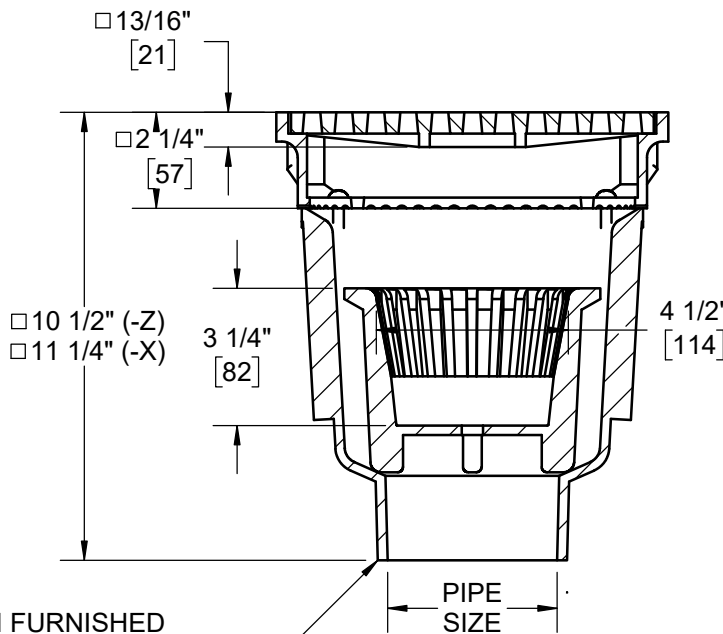
SERIES

35130

GRATE FREE AREA: 30IN²
 STD. CAST IRON SLOT WIDTH: 3/8" (ADA)
 -1 AND -2 SLOT WIDTH 3/8" (ADA)



FRAME SECURED TO GRATE WITH SCREWS



□ ADD 1/4" WHEN FURNISHED WITH NIKALOY OR BRONZE TOP

PIPE SIZE
2"
3"
4"

-1	SATIN FINISH NIKALOY TOP
-2	SATIN FINISH BRONZE TOP
Δ -14-1	HINGED GRATE, SATIN FINISHED NIKALOY
-14-2	HINGED GRATE, SATIN FINISH BRONZE
-15	CHAINED GRATE
-49	3/4" PRIMER TAP
-50	1/2" PRIMER TAP
-66	NO-HUB SIDE OUTLET

-70	LESS BUCKET
-84	STAINLESS STEEL MESH BUCKET LINER
-88	SUPPLEMENTARY STRAINER
-92	GALVANIZED CAST IRON PARTS
-ARE	ACID-RESISTING EPOXY
-VP	SECURED GRATE, VANDAL-PROOF SCREWS
-TGI	TRAP GUARD INSERT
-X	INSIDE CAULK OUTLET
-Z	NO-HUB SPIGOT OUTLET

Δ SEPARATE SUBMITTAL FOR THIS OPTION AVAILABLE

DATE OF LAST CHANGE: 05/21/18

DIMENSIONS ARE SUBJECT TO MANUFACTURERS TOLERANCES AND CHANGE WITHOUT NOTICE. WE CAN ASSUME NO RESPONSIBILITY FOR USE OF SUPERSEDED OR VOID DATA.

JOSAM COMPANY
 MICHIGAN CITY, INDIANA

NOTES