

SPECIFICATION:

JOSAM SERIES 49850 ROUND CAST IRON FLOOR SINK WITH ACID RESISTING INTERIOR, DOUBLE DRAINAGE FLANGE WITH WEEPHOLES, BOTTOM OUTLET, INSIDE CAULK CONNECTION, FLUSHING CONNECTIONS, BRONZE FLUSHING RIM AND NIKALOY ROUND TOP WITH LIGHT-DUTY PERFORATED HINGED GRATE.

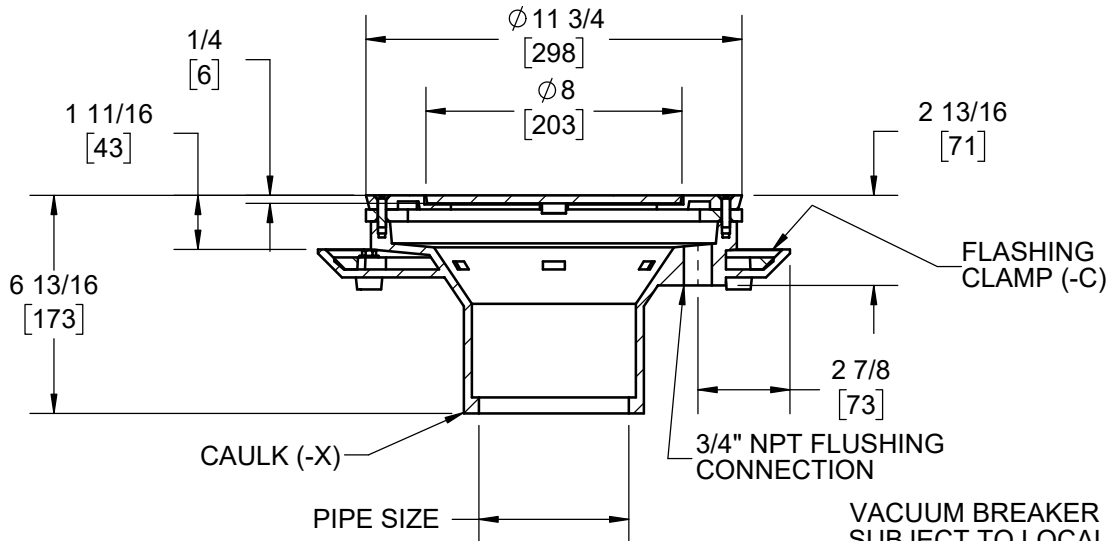
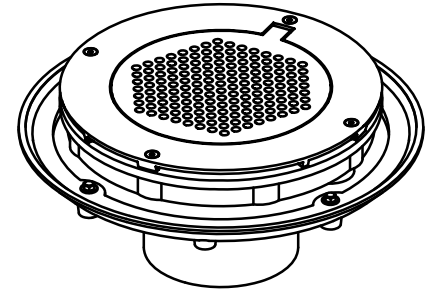
**SANITARY FLOOR SINK
FLUSHING RIM 12" ROUND TOP**

SERIES

49850

NIKALOY HINGED GRATE
FREE AREA: 11.5 SQ. IN.

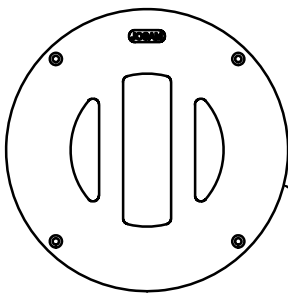
Ø 14 3/4
[375]



PIPE SIZE	
	2"
	3"
	4"
	6"

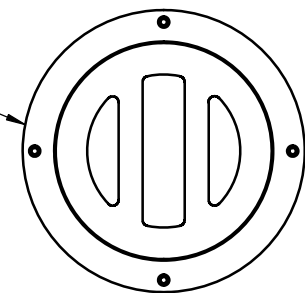
49852 AND 49853
USE 49854 BODY

VACUUM BREAKER SHOULD BE INSTALLED
SUBJECT TO LOCAL CODE REQUIREMENTS



LOOSE SET NIKALOY GRATE (-14)
FREE AREA: 23 SQ. IN.

ONE PIECE NIKALOY GRATE (-13)
FREE AREA: 22 SQ. IN.



	-VP	SECURED GRATE, VANDAL-PROOF SCREWS
	-13	ONE-PIECE SATIN NIKALOY GRATE
	-14	LOOSE-SET SATIN NIKALOY GRATE
	-51	GALVANIZED CAST IRON, INSIDE AND OUTSIDE

	-98	WATER SUPPLY CONTROL BOX
	-C	CLAMP DEVICE
	-TSI	TRAP SEAL INSERT (2"-4")
	-X	INSIDE CAULK OUTLET (2"-4" SIZES ONLY)
	-Z	NO-HUB OUTLET (6" SIZE ONLY)

DATE OF LAST CHANGE: 03/14/19

DIMENSIONS ARE SUBJECT TO MANUFACTURERS
TOLERANCES AND CHANGE WITHOUT NOTICE.
WE CAN ASSUME NO RESPONSIBILITY FOR
USE OF SUPERSEDED OR VOID DATA.

JOSAM
MICHIGAN CITY, INDIANA

NOTES

WARNING: Cancer and Reproductive Harm - www.P65Warnings.ca.gov